

MULTI-CHANNEL X10 RELAY CONTROLLERS

INSTALLATION INSTRUCTIONS

The 4CUX10 is a 4 channel DPDT relay controller with independent control of each channel with X10 Unit On and Off commands. The controller has a selectable House Code, A-P, and can be set to respond to one of four groups of sequential Unit Codes, 1-4, 5-8, 9-12, 13-16. Latched/Momentary/Pulsed versions.

The 8CUX10 is a 8 channel DPDT relay controller with independent control of each channel with X10 Unit ON and Off commands. The controller has a selectable House Code, A-P, and can be set to respond to one of two groups of Unit Codes, 1-8, 9-16. Latched/Momentary/Pulsed versions.

The 16CUX10 is a 16 channel DPDT relay controller with independent control of each channel with X10 Unit On and Off commands. The controller has a selectable House Code, A-P, and each channel responds to its Unit Code, 1-16. Latched/Momentary/Pulsed versions.

Each relay channel has two independent, double throw, open common, channels that are rated at 2 Amps, 30VAC/DC or 125VAC.

Latched, Pulsed, and Momentary Versions.

LATCHED units turn their channels on with X10 Unit **On** commands, and turn their channels off with X10 Unit **Off** commands. Latched units also respond to X10 **All Units Off** commands.

PLUSED units respond to X10 Unit **On** commands with a **1 second output pulse**. They responds to X10 Unit **Off** commands with another **1 second output pulse**.

MOMENTARY units respond to X10 Unit **On** commands with a **1 second output pulse**. They ignore X10 Unit **Off** commands.

The units do not respond to any other X10 commands such as All Lights On or Dim commands.

SYSTEM COMPONENTS

Each system requires the following components

1. The multi-channel relay controller
2. 12VDC power transformer (supplied)
3. TW523 or PSC05 X10 interface module (not supplied)
4. Cable to connect X10 interface module to controller (**4 wire reversing** modular phone cable supplied)
- 5.

INSTALLATION (REFER TO WIRING DIAGRAM)

Connect the X10 Interface Module and the Transformer to the control unit.

Set House Code and Unit Code desired (Before power up).

Plug the Interface Module and Transformer into 110VAC outlets. (Be sure outlet is not switched if you want continuous operation.) CAUTION! DO NOT PLUG THE X10 INTERFACE MODULE CABLE INTO PHONE OUTLETS OR DAMAGE MAY RESULT.

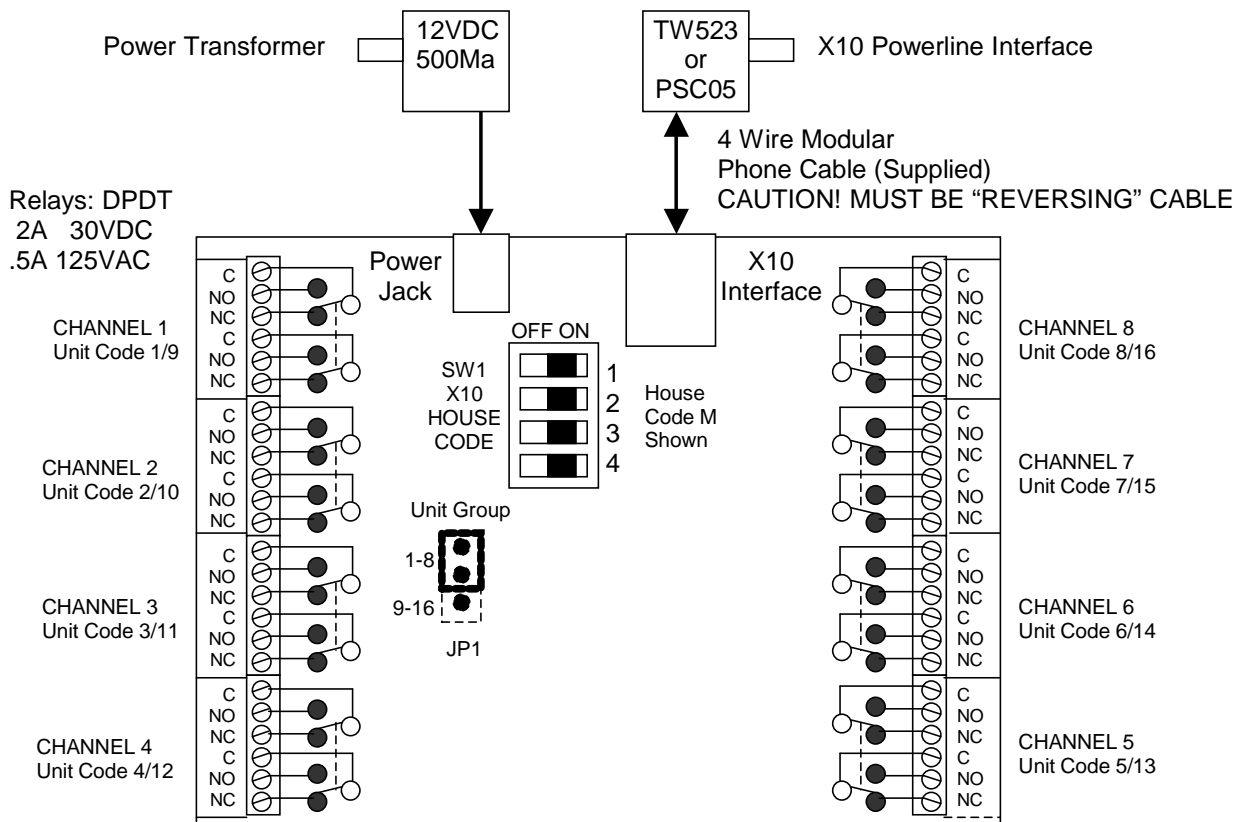
Test operation by sending X10 Unit On/Off commands via a X10 mini/maxi controller for the House Code and Unit Codes selected. Verify channel LED's show proper operation.

NOTE: It is recommended for switching inductive loads (relay coils or solenoids) that transient voltage suppressor diodes be installed across the relay contacts to provide arc suppression and noise reduction.

Wiring Diagram

- Models: **8CUXL** Latching ON or OFF with X10 Unit ON or OFF command.
8CUXM Momentary On with X10 Unit ON command.
8CUXP Pulsed On (1 sec) with X10 Unit ON **AND** OFF command.

Response to X10 Unit Codes selectable in two groups: 1-8 or 9-16



JP1 X10 UNIT CODE GROUP SELECTION

GROUP 1-8
Relays 1-8 respond to Unit Codes 1-8 respectively



GROUP 9-16
Relays 1-8 respond to Unit Codes 9-16 respectively



JP1 JUMPER SETTINGS

SW1 X10 HOUSE CODE SELECTION TABLE

1 = ON
0 = OFF

HOUSE CODE	SW1 1234
A	1001
B	0001
C	1101
D	0101
E	1110
F	0110
G	1010
H	0010
I	1000
J	0000
K	1100
L	0100
M	1111
N	0111
O	1011
P	0011