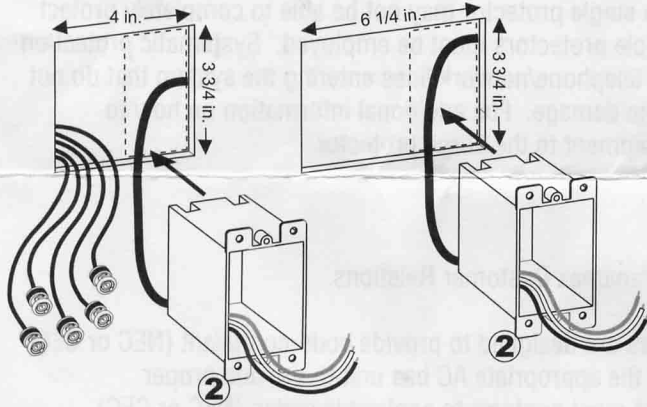


Panamax MIW-POWER & MIW-POWER-3BAY Installation Instructions

CAUTION: Only for use with 15 Amp branch circuits utilizing 14 or 12 gauge wire. Make sure the branch circuit is de-energized before installation.

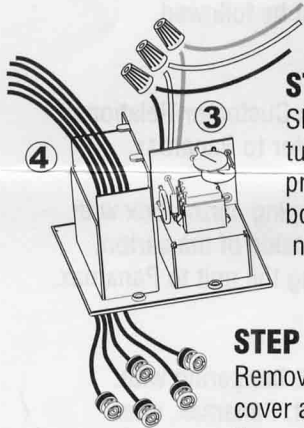
- For MIW-POWER, cut a 4-inch wide by 3 3/4 - inch high hole in the wall.

- For MIW-POWER-3BAY, cut a 6 1/4 - inch wide by 3 3/4 - inch high hole.



STEP 2:

Run the AC wires through the lower-left entry of the outlet box. No more than 1 inch of wire sheath should extend into the outlet box. 3 inches of wire should be able to extend beyond the opening of the outlet box. Install the outlet box into the right side of the hole.



STEP 3:

Slide the included shrink-wrap tubing over the ground wire to prevent contact with the circuit board. Use the included wire nuts to connect the wires.

STEP 4:

Remove the blank module interface cover and run the signal cables through the opening.

The MIW-Power-3Bay will accommodate up to 3 modules and includes 3 separate blank cover plates. Remove only the ones being replaced with signal-line modules.

STEP 1:

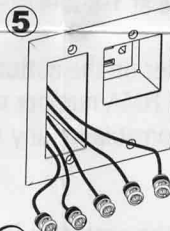
Select a location close to the display device (Plasma TV, DLP, etc.). In the case of a wall-mounted Plasma TV, this may be behind the display device and totally hidden from view once the Plasma TV is mounted.

MIW-Power NOTE: For new construction (pre-wire): Use a Carlon new-work electrical box (Model B122A). A Carlon low voltage add-on bracket (Model SC1 0OSC) may be used with the new-work box to indicate the size and location of the opening needed in the drywall. The low-voltage bracket may be left in place when installing the MIW-Power.

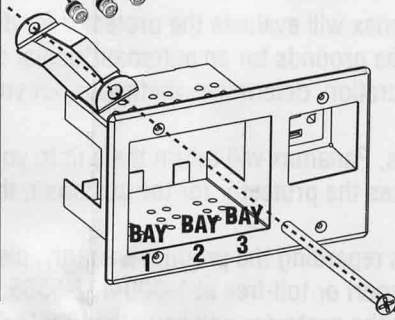
MIW-Power-3Bay NOTE: For new construction (pre-wire): Use a Carlon new-work electrical box (Model B122A). Carlon low-voltage add-on brackets cannot be used since there is no way to remove them after the drywall is installed. The width of the opening in the drywall will have to be enlarged (carefully) to allow installation of the 3-bay unit.

STEP 5:

Neatly fold the AC wires as you install the protector into the wall with the AC side fitting into the outlet box. Secure the unit to the outlet box with the included screws.



MIW-Power NOTE: Only the right side screws are used to mount the protector into the included outlet box. The left side screws are for appearance only and are held on with the included plastic washers. All four screws are used when mounting the protector to a new-work electrical box and add-on bracket.



MIW-Power-3Bay NOTE:

The right side screws are used to mount the protector into the included outlet box. The left side screws and compression brackets secure the module bay portion of the unit to the drywall and provide support for the weight of the signal-line cables.

STEP 6:

Connect the signal cables to the appropriate Max In-Wall module (sold separately) and slide the module into the opening. The module can be installed to three different depths, from flush to full recess. To remove the module, use the tool included with the module.

NOTE: The signal-line module shown is for illustration purposes, and is not included with the base unit. A variety of modules are sold separately. This product must be used with the blank module cover interface, or a signal-line module installed.

