

# Relay Installation: 2 and 3 Pole Versions (Part Nos. 1224 and 1324)

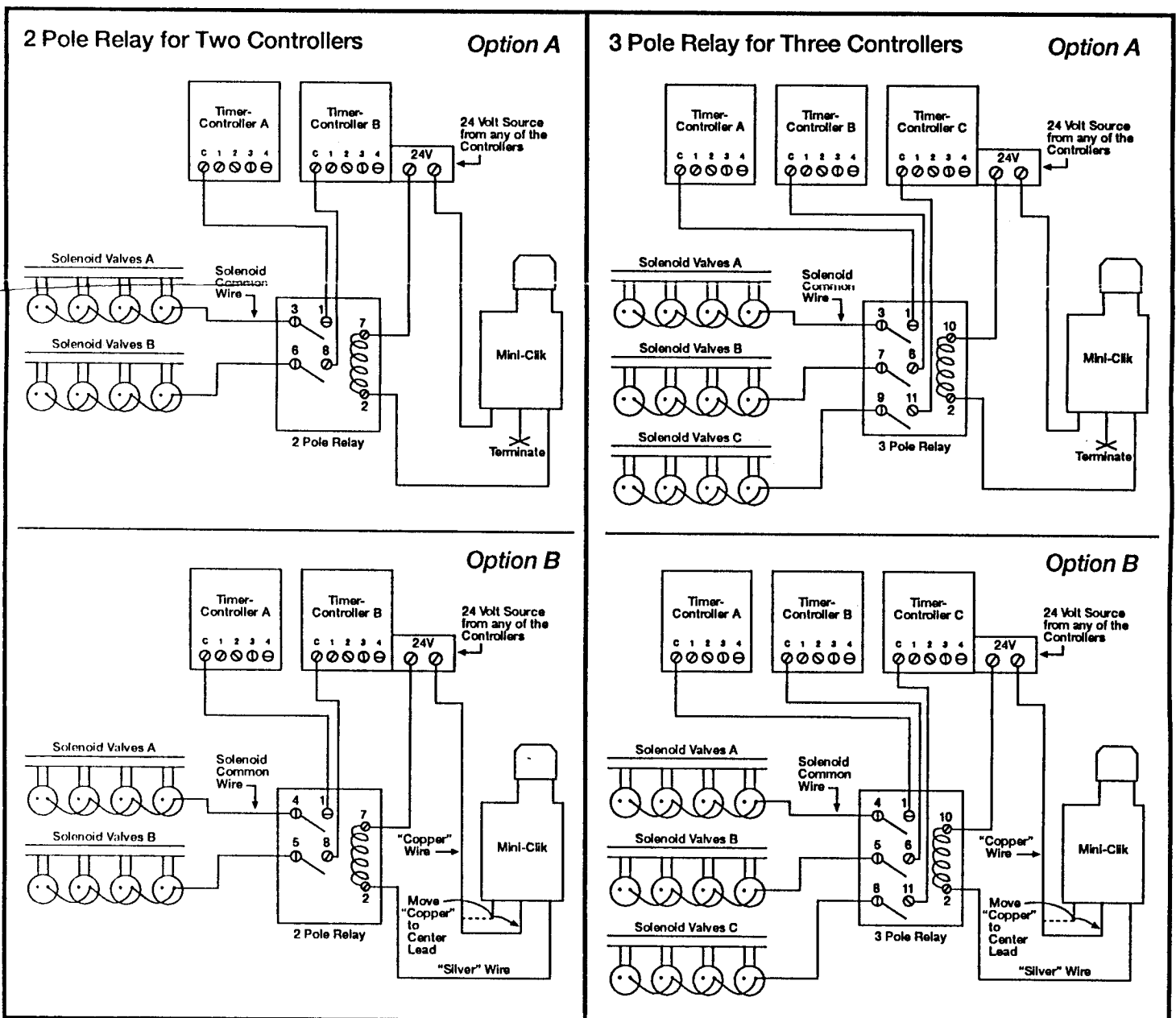
## Mini-Clik II® Wiring to Multiple Controllers Using a Relay

**General:** There are basically two methods to follow using these relays. One (Option A) has voltage going through the Mini-Clik all the time it is "dry," which simultaneously keeps the coil of the relay energized, keeping the common circuits closed.

The other (Option B) has voltage going through the Mini-Clik and the coil, only while the Mini-Clik has "wetted" and switched "off". This will open the common circuits.

Neither option is necessarily better than the other, except in Option B the coil of the relay will be energized less time in use, but the Mini-Clik must be altered to its "normally-open" wiring mode. Also, if a wire to the Mini-Clik is accidentally severed, "failure mode" will keep the sprinkler system operational.

- Wiring:**
1. Following the wiring diagrams below, attach the appropriate wire to the correct numbered screw terminal on the relay.
  2. For Option B, alter the Mini-Clik to "normally-open" mode by cutting the "copper" lead at the "blue" wire junction and re-attach it to the center blue wire.
  3. Mount the relay where convenient using the two screw holes. The screw terminal base can be simply pulled apart from the relay portion to make mounting easier. The pins are self-aligning for reassembly. The relay is not water or weather proof.

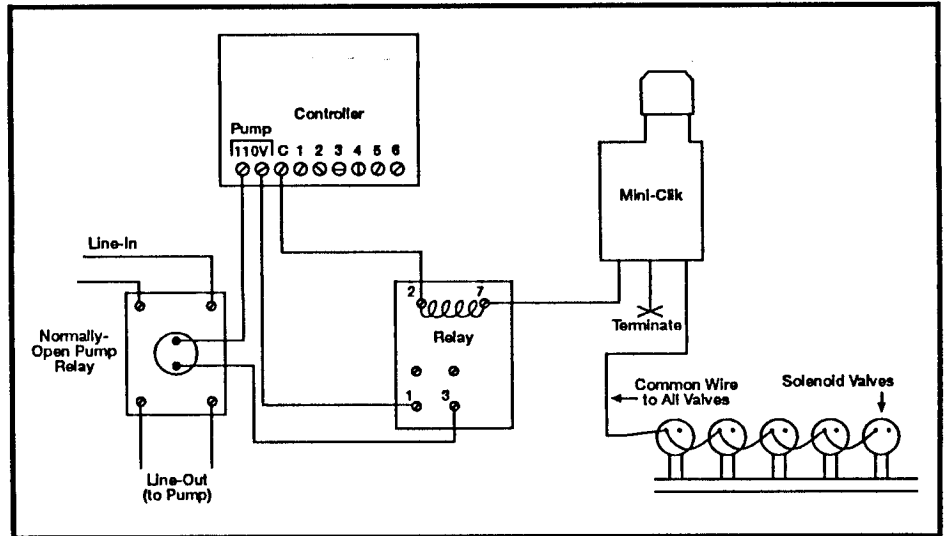


## II. Mini-Clik II® Wiring to Controller with 24V Valves and 110V Pump Start

General: The 2-Pole relay (Part No. 1224) is used in this situation, even though only one of the poles is needed to switch the 110 Volt circuit.

All 110 Volt wiring must be done in accordance with National Electrical Code and applicable local codes, and must be done by a qualified electrician. Disconnect power to the controller before beginning work.

- Wiring:
1. Following the wiring diagram at right, attach the appropriate wire to the correct **numbered screw terminal** on the relay.
  2. Insulate the screw terminals that are connected to the 110 Volt line to prevent accidental electric shock.
  3. Mount the relay where convenient using the two screw holes. The screw terminal base can be simply pulled apart from the relay portion to make mounting easier. The pins are self-aligning for reassembly. The relay is **not** water or weather proof.



## III. Mini-Clik II® Wiring with Dual-Common Timer-Controller

General: The 2-Pole relay (Part No. 1224) is used in this situation, to isolate the two common circuits from each other.

- Wiring:
1. Following the wiring diagram at right, attach the appropriate wire to the correct **numbered screw terminal** on the relay.
  3. Mount the relay where convenient using the two screw holes. The screw terminal base can be simply pulled apart from the relay portion to make mounting easier. The pins are self-aligning for reassembly. The relay is **not** water or weather proof.

