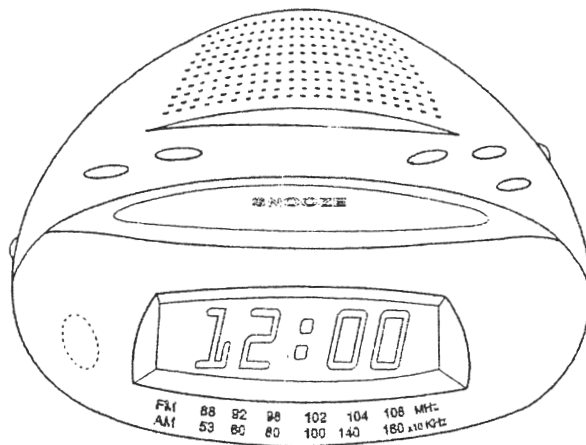

User's Manual

2.4 GHz Wireless Color Covert Camera with AM/FM Radio Alarm Clock



PLEASE READ CAREFULLY AND SAVE

This manual contains important information about this product's operation. If you are installing this product for use by others you must leave this manual -or a copy- with the end user.

Important!

Please read this booklet carefully before installing or using these units.

DANGER- HIGH VOLTAGE- These units should ONLY be opened by an authorized technician if service is required.

Safety Precautions

For correct and safe operation of this system, it is essential that installers, end-users and service technicians should follow all safety procedures outlined in this manual. Specific Warning and Caution statements (and/or symbols) are marked on the units where needed.

Warning and Caution Statements

"WARNING" indicates a situation where failure to follow proper procedures can cause personal injury.

"CAUTION" indicates a situation where failure to follow proper procedures can cause damage to the equipment.

**2.4 GHz Wireless Color Covert Camera
with AM/FM Radio Alarm Clock**

Contents

Important Safety Precautions	1
Specifications	2
Parts Included with This System	3
Parts of the System	3
- Parts of the Radio/Camera	3
The AM/FM Radio Alarm Clock	3
- Power Supply	3
- Clock/Radio Operation	4
- Sleep Timer	4
- Sleep Time and Alarm Usage	4
Installing the Wireless Color Covert Camera System	5
Troubleshooting Guide	6

Important Safety Precautions

Please read before Installing

Congratulations on your purchase of the 2.4GHz Wireless Color Hidden Camera with AM/FM Radio Alarm Clock. Please read these safety and operating instructions carefully before installing and using this system.

- Keep the camera/radio and AC/AC adapter cords out of reach of children.
- Do not place the camera/radio or AC/AC adapter cords in a crib or playpen.
- Do not use the camera/radio near water or damp and wet environments, such as a bathtub, laundry tub, kitchen sink, or wet basements.
- Locate the camera/radio and AC/AC adapters where there is adequate ventilation.
Do not locate the camera/radio in direct sunlight.
- Do not locate the camera/radio and AC/AC adapters near heat sources such as heat registers, radiators, ovens, furnaces or other appliances with high operating temperatures.
- Do not use with extension cords. Use only the AC/AC adapters provided with this package. Use of other adapters may damage the units and void your warranty.
- Only plug components into standard household **voltage outlets** (110V - 240V AC, 50Hz or 60 Hz).
- Do not place cords from the AC/AC adapters and camera/radio where they can be pinched or stepped on. Protect the cords by keeping them out of the way of children, pets and routine household traffic. Do not place heavy objects on power cords or cover cords with rugs or carpet.
- When cleaning, use a DRY, lint-free cloth. Unplug the camera/radio and AC/AC adapters before cleaning. NEVER immerse any components in water and do not spray cleaners or solvents on the units. Doing so may damage the units or cause electrical shock.
- Unplug the AC/AC adapters from the wall outlet when the system is not in use.
- Mishandling, alterations or modifications not approved by the manufacturer will void the warranty.

⚠ CAUTION!

- Connect this unit **ONLY** to other compatible units. Do not connect it to any other type of alarm or auxiliary device. Connecting anything else to this unit may damage it or prevent it from operating properly.

⚠ CAUTION!

- Do not paint over the camera.

⚠ CAUTION!

- This system uses public airwaves for wireless operation. The video may be broadcast to and picked up by other 2.4 GHz receiving devices. Conversations and images from other rooms near the camera may be broadcast and picked up. To protect your privacy, always turn off **the camera when not in use.**

Additional Notice- Do not place video monitor or equipment on an unstable cart, stand or table. The video monitor or equipment may fall causing serious injury to a child or adult.

FCC/CE WARNING

This equipment generates and uses radio frequency energy and if not installed and used properly, that is, in strict accordance with the manufacture's instructions, may cause interference to radio and television reception. It has been tested and found to comply with limits for a Class B digital device in accordance with Part 15 of FCC Rules and CE I-ETS 300 440, which are designed to provide reasonable protection against such interference in a residential installation. However, there is no guarantee that interference will not occur in a particular installation. If this equipment does cause interference to radio or television reception, which can be determined by turning the equipment off and on, the user is encouraged to try to correct the interference by one or more of the following measures:

1. Reorient the TV/radio antenna.
2. Relocate the Receiver away from the TV/radio receiver.
3. Plug the Receiver into a different wall outlet so that the Receiver is on a different branch circuit.
4. If necessary, the user should consult the dealer or an experienced radio/television technician for additional suggestions.

The user may find the following booklet prepared by the Federal Communication Commission helpful: "How to Identify and Resolve TV Interference Problems." This booklet is available from the US Government Printing Office, Washington, D.C. 20402, Stock No. 004-000-00345-4.

FCC/CE NOTICE

The user is cautioned that changes or modifications not expressly approved by the manufacturer could void the user's authority to operate the equipment. Linear radio controls provide a reliable communications link and fill an important need in portable wireless signaling. However, there are some limitations which must be observed

The radios are required to comply with FCC Rules and Regulations as **Part 15 devices** and CE I-ETS 300 440. As such, they have limited transmitter power and therefore **limited range**. **A receiver cannot** respond to more than one transmitted signal at a time and may be **blocked by radio signals that occur** on or near their operating frequencies. Changes or modifications to the **device may void FCC and CE** compliance. Infrequently used radio links should be tested regularly to **protect against** undetected interference or fault.

Specifications

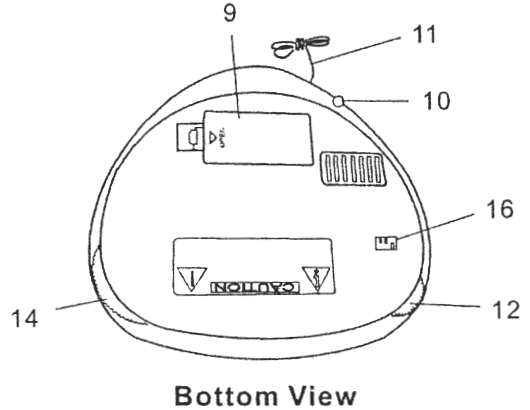
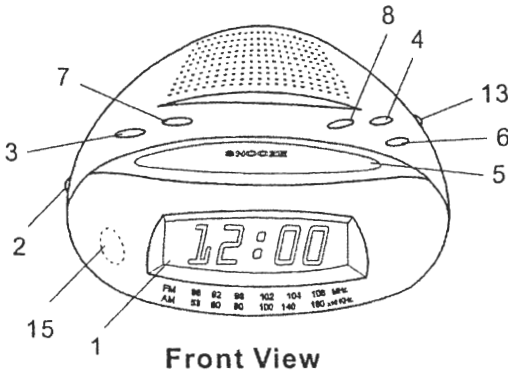
RADIO & CAMERA:

IMAGE SENSOR	1/3" Color CMOS Image Sensor
RESOLUTION	330 Horizontal TV Lines
LENS	6mm
OPERATING TEMP.	32°F - 122°F (0°C - 50°C)
POWER OPERATION	10.2V x2 250mA (AC/AC Adaptor)
FREQUENCY	AM 530-1600 KHz; FM 88-108 MHz
DIMENSIONS	170 x 115 x 45 mm (approx.)
DC BACKUP POWER	DC 9V. One 6F22 or equivalent Size Battery (Not included, for radio clock only)
ANTENNA	FM with 1m Wire Antenna; AM with Build-in Ferrite Bar Antenna
SPEAKER	2 1/4" 8 ohm Dynamic Loudspeaker

Parts Included with This Package

- AM/FM Radio Alarm Clock with Build-In Hidden Camera
- 10.2V x 2 / 250mA AC/AC adaptor for Camera/Radio

Parts of the Radio/Camera



- (1) Alarm Indicator
- (2) ON/OFF/AUTO Switch
- (3) Time Set Button
- (4) Hour Button
- (5) Snooze Mode Button
- (6) Minute Button
- (7) Alarm Mode Button
- (8) Sleep Mode Button

- (9) Battery Compartment
- (10) Power Input Jack
- (11) FM Wire Antenna
- (12) Volume/OFF Control Knob
- (13) Band Selector
- (14) Tuning Knob
- (15) Camera (Inside)
- (16) Channel Switch

The AM/FM Radio Alarm Clock

Power Supply

1. Back Up Battery

- Open the battery compartment door on the bottom of the unit.
- Insert a 9V battery (not included) in the compartment with the correct polarity as indicated by the "+" and "-" symbols.

During power interruption, the clock function still operation and not displayed.

You can not listen to the radio with the battery.

After the AC power operation, the displayed time may loss or gain less than ten minutes in each hour.

Note: Incorrect use of battery can cause electrolyte leakage and corrode the compartment or cause battery to bust. Please remove the battery if exhausted or if the unit is not to be used for a long time.

2. Power Operation by using the 10.2V x 2 AC/AC adapter
 - Before use, check your local voltage and the rated voltage of your unit.
 - If the AC power supply is interrupted, the battery supplies power to keep the clock operating and sustaining the alarm time setting.
 - The backup battery power is only for clock operation.

Clock/Radio Operation

1. Clock Setting
 - Press and hold TIME (3), then press HOUR (4) to set the Hour and MIN (6) to set the Minute. Depress the TIME to confirm Normal Time setting.
2. Radio Operation
 - Set the ON/OFF/AUTO switch (2) to ON position.
 - Set Band Selector (13) to the desired radio band.
 - Use TUNING (14) knob to select the desired radio station.
 - Use VOLUME/OFF (12) knob to adjust the volume loudness level.
 - Set the ON/OFF/AUTO switch (2) to OFF position to turn off the radio.
 - Extend the FM wire antenna for better FM reception.
3. Alarm Setting (Radio Alarm)
 - Turn on the radio, tune into a desired station and adjust the volume level.
 - Press and hold ALARM (7), then press HOUR (4) to set the Hour and MIN (6) to set the Minute. Depress ALARM (7), to confirm Alarm Time setting.
 - Set the ON/OFF/AUTO switch (2) to AUTO position.
 - ALARM INDICATOR (1) will light when alarm is set.
 - Press ALARM (7) to check the Alarm Time.
 - When the preset time comes, the radio turns ON. To turn the radio OFF, press VOLUME/OFF (7) and it will resume after 24 hours. Press SNOOZE (5) and it will come back after 9 minutes.
4. Alarm Setting (Beep Alarm)
 - Same setting procedures as Radio Alarm, except set the VOLUME/OFF switch (2) to OFF position.
 - Use the VOLUME knob (12) to adjust the desired beep alarm volume level.
 - * Radio/Beep Alarm will shut off automatically after 119 minutes.

Sleep Timer

This unit is equipped with sleep time function which allows the unit to turn the radio OFF automatically after a preselected time period from 1 hour and 59 minutes to 1 minute.

- Set the ON/OFF/AUTO switch (2) to OFF or AUTO position.
- Press SLEEP (8) to activate sleep time at default time of 59 minutes.
- Hold SLEEP (8) and press MIN (6) to set sleep timer within 59 minutes time frame.
- Hold SLEEP (8) and press HOUR (4) once and press MIN (6) to set sleep timer within 1 hour and 59 minutes.
- Depress SLEEP (8) to confirm sleep timer setting.

Sleep Time and Alarm Usage

You can fall asleep listening to the radio and still be awakened by the radio/beep alarm at a preset time.

- Set the Alarm according to your choice (either section 3 or 4).
- Set the Sleep timer as instructed in section 6.
- Turn OFF the Sleep Mode before the setting time, press the Snooze button.

Installing the Wireless Color Hidden Camera

To install the system, follow these steps:

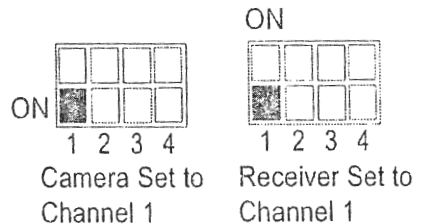
1. Plug the AC/AC adapter cord into the power input jack on the back of the unit.
2. Plug the AC/AC adapter into a standard (110V-240V) AC outlet. Set the camera/radio power switch to "ON". The alarm indicator should light.
3. Select the channel (Channel 1-4) to be used on both the camera/radio by gently pushing the dip-switch for that channel to the ON position.

NOTE: Make sure the camera/radio and receiver are set to the same channel (1, 2, 3 or 4).

For example, to set both the camera/radio and receiver on Channel 1:

(a) Push the Channel 1 dip-switch located on the back of the camera/radio and the receiver to the ON position.

(b) Make sure the remaining dip-switches are in the OFF position. In this case, channels 2, 3 and 4 should be in the OFF position.



If more than one camera/radio is to be installed and operated at the same time:

Simply follow steps (a) and (b) and set the dip-switches for the other channels on the camera/radio and receiver to ON.

For example, to operate two camera/radios:

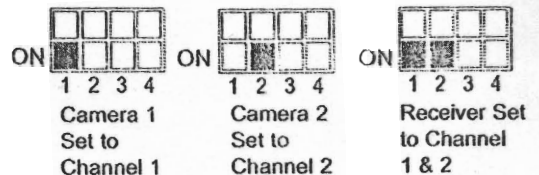
Set Camera/Radio 1 to Channel 1

(other channels off),

Set Camera/Radio 2 to Channel 2

(other channels off),

And on the receiver, set channels 1 and 2 to ON.



Troubleshooting Guide

If the Camera/Radio and/or Monitor...	You should...
No Power	<ol style="list-style-type: none">1. Check that the power cord(s) is properly connected.2. Check that the monitor is turned ON.3. Wrong AC/DC adapter used. Check if your are using the right AC/DC adapter.
No sound or picture. Distorted sound or picture	<ol style="list-style-type: none">1. Check the channel switch settings on the camera/radio and receiver. Make sure the channels match on both units.2. Signal interference from a microwave oven. Check if a micro-wave oven is in use or located in the path between the camera/radio and receiver. If so, turn it off or move it out of the path.3. Signal interference from other signal producing devices.<ol style="list-style-type: none">(a) Change the channel setting on both camera/radio and receiver.(b) Identify and eliminate the source of the interference.(c) Relocate the camera/radio and/or receiver closer to each other.4. Camera/radio and receiver are too far apart. Relocate the camera/radio closer to the receiver.5. Antenna is positioned improperly. Adjust the antenna on the receiver.